


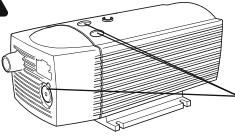


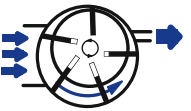




BETRIEBSANLEITUNG  
OPERATING INSTRUCTIONS  
INSTRUCCIONES DE SERVICE  
ISTRUZIONI D'USO  
HANDLEIDING  
INSTRUCCIONES PARA EL MANEJO  
MANUAL DE INSTRUÇÕES  
NAUDOJIMOSI INSTRUKCIJA  
KASUTUSJUHEND  
LIETOŠANAS INSTRUKCIJA  
DRIFTSINSTRUKS  
DRIFTSINSTRUKTIONER  
DRIFTSVEJLEDNING  
INSTRUKCJA OBSŁUGI

KEZELÉSI ÚTMUTATÓ  
NÁVOD K OBSLUZE  
NAVODILO ZA UPORABO  
NÁVOD NA OBSLUHU  
UPUTE ZA RAD  
MANUAL DE OPERATII  
TREORACHA OIBRIÚCHÁIN  
ΟΔΗΓΙΕΣ ΧΡΗΣΗΣ  
EL KITABI  
ИНСТРУКЦИИ ЗА ЕКСПЛОАТАЦИЯ  
ИНСТРУКЦИЯ ПО ЕКСПЛОАТАЦИИ  
取扱説明書  
사용설명서  
使用说明书

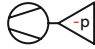



## VT 4.10

**MAKE IT BECKER.**




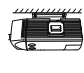
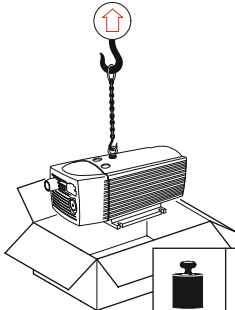


 	
	
 <p><input checked="" type="checkbox"/> <b>AIR</b></p>	 
	 



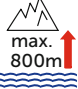
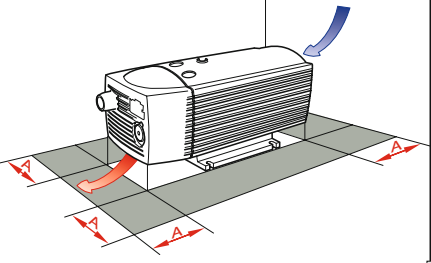
1

 <p><b>MAX. VACUUM</b></p>	 <p>mbar</p>
 <p><b>MAX.</b></p>	 <p>m<sup>3</sup>/h</p>
<p><b>L<sub>pA</sub></b> )))</p> <p>DIN EN ISO 11203 Accuracy Class 2 K<sub>pa</sub> = 3 dB(A) l ← 1m</p>	<p>L<sub>pA</sub> = 60 dB(A) - 50Hz L<sub>pA</sub> = 62 dB(A) - 60Hz</p>

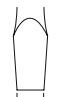
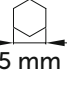

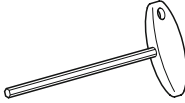
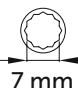
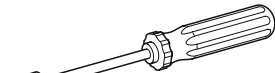
2

			
	<p>16 kg 35.3 lbs</p>		

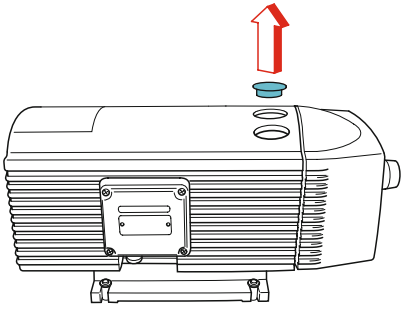
3

<p>A &gt; 100mm A &gt; 4"</p>	 <p>&gt; 5°C/41°F &lt; 45°C/113°F</p>	 <p>max. 90%</p>	 <p>max. 800m</p>
			

4

 <p>6 mm</p>	
 <p>5 mm</p>	
 <p>7 mm</p>	

5


---

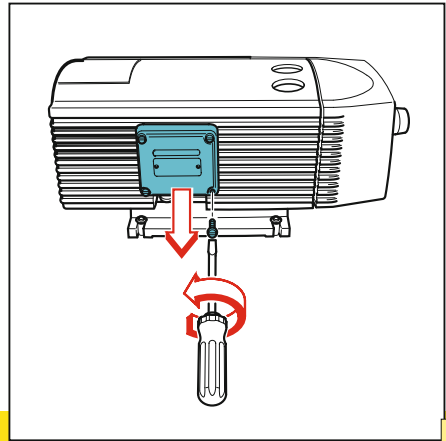
6

**MOTOR-PROTECTION =**

(cf. LXX)	
50Hz	60Hz
XXX / 2XXX V	XXX / 200 V
(XX / XX A)	(XX / XX A)

**SERVICE FACTOR X RATED CURRENT**

7



8

**3 ph**

9

**3 ph**

10

0 2 10 [m]

**VACUUM**

11

MAX. -0,85 bar  
-25,1 in.Hg

12

**Maintenance**




**n=0min<sup>-1</sup>**

2-3 Min



13

14

3x	A <input checked="" type="checkbox"/>	<b>6.2Nm</b>
2x	-X <input type="checkbox"/>	<b>2Nm</b>

**CLEANING INTERVAL**

40h  
↑  
↓  
200h

EN149 - FFP3  
42 CFR 84 - N100

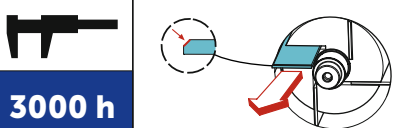
15

16

**F1:** D: 38 mm  
H: 38 mm  
No.: 9095180000


17

18



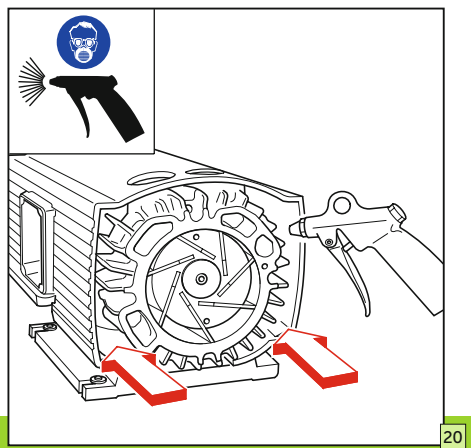
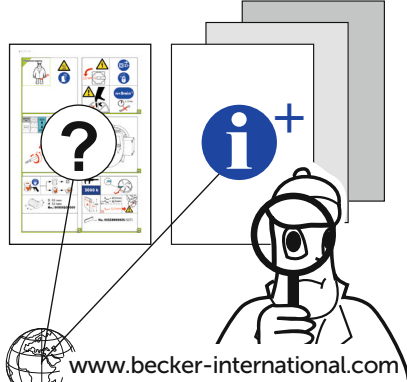
**3000 h**

$A_{MAX} = 27\text{mm}$   
 $A_{MIN} = 18\text{mm}$

$A_{T} < 18\text{mm}$  

→ No. 90132700007 (SET)

19

[www.becker-international.com](http://www.becker-international.com)

21



[WWW.BECKER-INTERNATIONAL-SHOP.COM](http://WWW.BECKER-INTERNATIONAL-SHOP.COM)

Gebr. Becker GmbH  
 Hoelker Feld 29-31  
 42279 WUPPERTAL  
 GERMANY  
[info@becker-international.com](mailto:info@becker-international.com)  
[www.becker-international.com](http://www.becker-international.com)





**MAKE IT BECKER.**

28100027502 | 2020-11-18 | All rights reserved